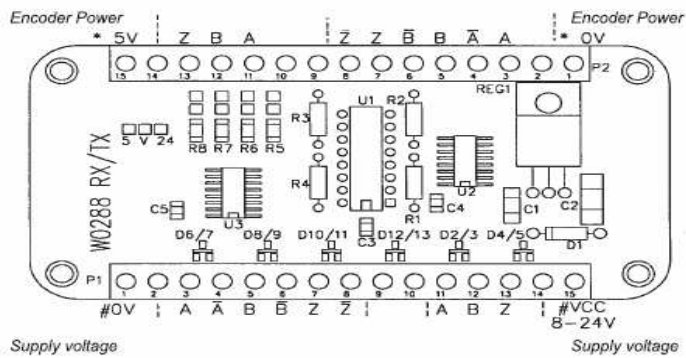
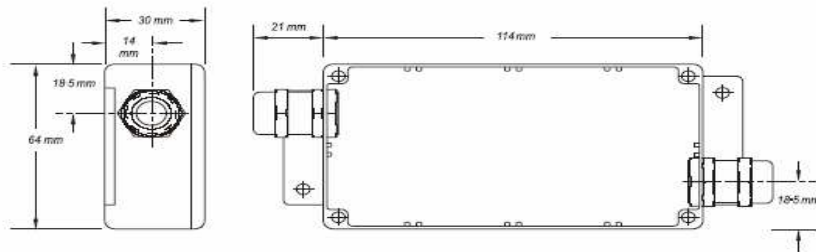
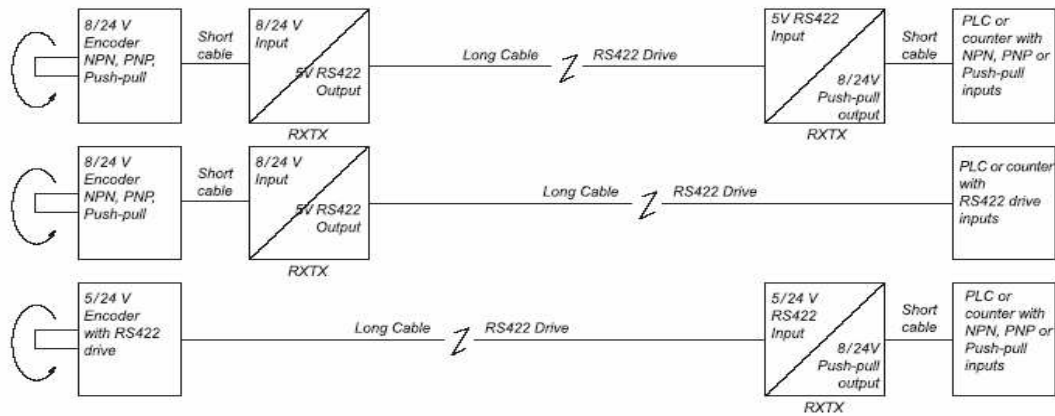




RX/TX

RX/TX RS422 Receiver/Transmitter Module

The RX/TX line conditioner module enables users to take full advantage of RS422 drive for long distance transmission for encoders which may only have been configured with single ended output circuits. It is also useful for interfacing an RS422 drive into PLCs which will only accept a single ended output. **This device may also be configured as a repeater, or level changer. Please call the Sales Office for details.**



İMAJTEKNIK LTD ŞTİ